

SPECIFICATION SHEET

PRODUCT # : CL-367

•Brick Lights

•Aluminum

Fixture Specifications:

Housing: Heavy Duty corrosion resistant galvanized steel with self-leveling adjustable bars.

Faceplate: Aluminum UV powder Coated, fitted to housing with a silicone gasket.

Finish: Available in: **BK**- Black, **BZ**- Bronze, **RT**- Rust, **WH**- White

Lens: High impact white polycarbonate

Socket: Two S.C. Bayonet sockets, attached to aluminum reflector.

Lamp: 12 volt, S.C Bayonet 2x27W Max. L-SCB-1141 (18W) standard. LED lamps available in 2W and 2.5W, with 2700K-warm white or 3000K-cool white color temperature. Xenon and halogen lamps also available.

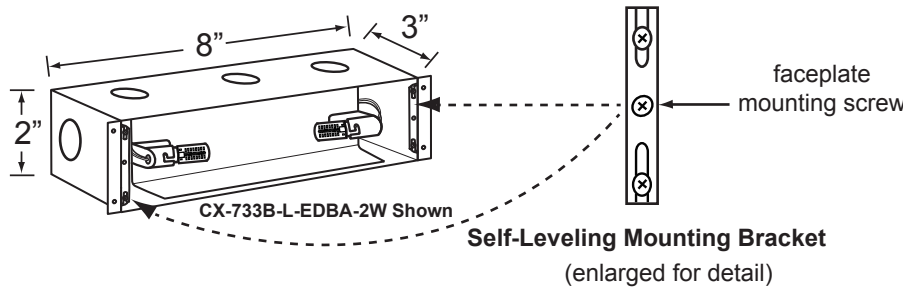
Gasket: Silicone gasket, seals faceplate to housing. Providing weather tight protection.

Wiring: Fixture is prewired with a 12-inch 18-2 SPT1-W direct burial cord. Wire connector sold separately. Gel filled wire nut (**CX-854**) is available from Corona Lighting.

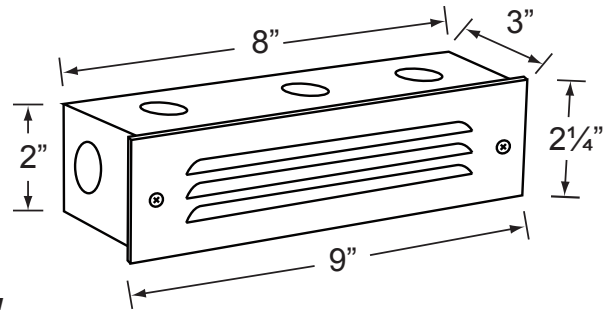
Mounting: Recessed mount back box. Best used in concrete, brick and other masonry, with 5x 1/2" NPT inlets.

Electrical Notes: A remote 12V transformer required, may be ordered to Corona Lighting separately. Voltage range for LED lamps are 10V to 18V.

Warranty: Limited one year warranty against manufacturer's defects.



Self leveling adjustable brackets on the mounting box allow for proper alignment of the faceplate.



AVAILABLE LED LAMPS (Corona LED lamps have a five (5) year limited warranty against manufacturer's defects)

LAMP NUMBER	WATTS	BEAM		COLOR & TEMP.	RATED HOURS	HALOGEN EQUIVALENT
		SPREAD	LUMEN			
L-EDBA-2W	2	360°	200	2700K	25,000	20 Watt
L-EDBA-2.5W	2.5	180°	240	2700K	25,000	35 Watt
L-EDBA-2W-3K	2	360°	210	3000K	25,000	20 Watt
L-EDBA-2.5W-3K	2.5	180°	250	3000K	25,000	35 Watt

JOB INFORMATION

TYPE: DATE:

JOB NAME & ADDRESS:

PRODUCT #:

TOTAL QUANTITY:

LAMP TYPE & WATTAGE:

TRANSFORMER:

CONTRACTOR:

SPECIFIER:

FACEPLATE ONLY

CX-879 Available in: **BK**- Black, **BZ**- Bronze, **RT**- Rust, and **WH**- White

MOUNT BACK BOX

CX-733B Steel box with two 18W #1141 S.C. bayonet lamps.

CX-733B-H Steel box with two 10W/20W S.C. bayonet base T3 halogen lamps.

CX-733B-L Steel box with two 2W/2.5W S.C. bayonet base LED lamp (see above)

CX-733B-X Steel box with two 10W/20W S.C. bayonet base Xenon 10,000 HR lamps.

• If you are ordering LED lamps you should follow the format below:

• **CL** - **product #** - **color** - **lamp** - **wattage**
CL - 367 - BK - L-EDBA - 2W-3K

Example: CL-367-BK-L-EDBA-2W-3K

• Corona Lighting reserves the right to make any change and/or improvement to the design and construction of this fixture without further notification.